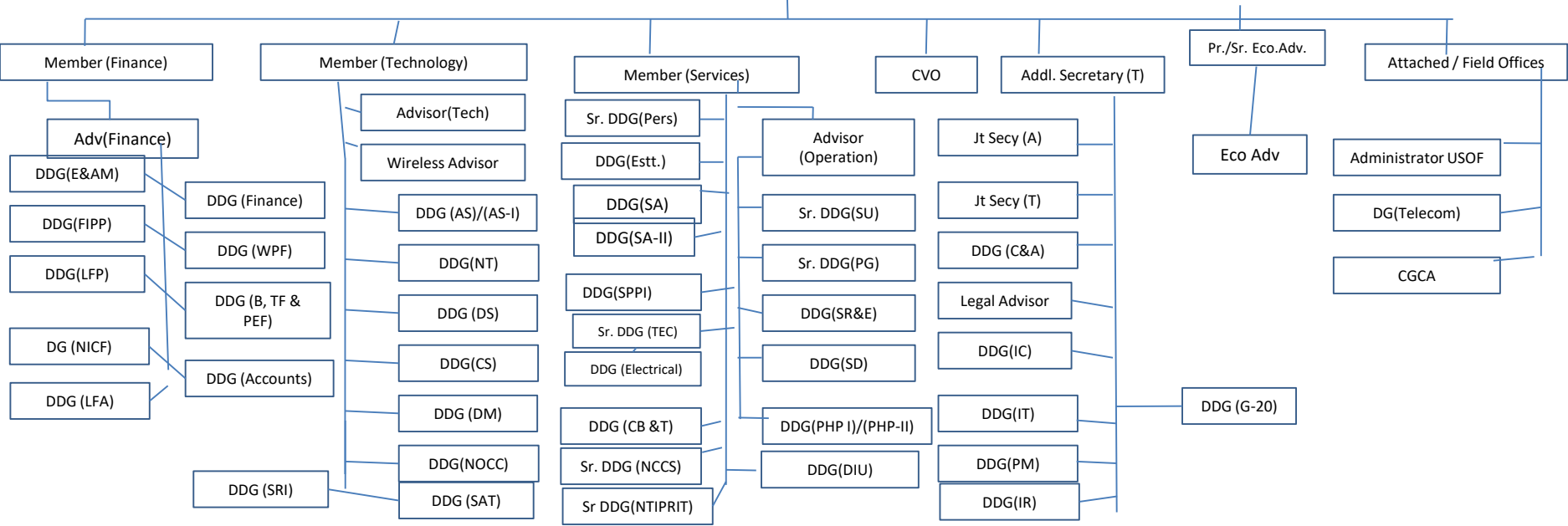


ORGANISATION CHART OF DEPARTMENT OF TELECOMMUNICATIONS

Minister of Communications

Minister of State for Communications

Secretary DoT & Chairman Digital Communications Commission



LEGEND
 DCC: Digital Communications Commission
 DDG: Deputy Director General
 WPF: Wireless Planning & Finance
 LFP: Licensing Finance Policy
 LFA: Licensing Finance Assessment
 AM: Asset Management
 E&T: Establishment & Training
 B&PEF: Budget & Public Enterprise Finance
 FIPP: Foreign Investment Policy & Promotion
 NICF: National Institute of Communication Finance

AS: Access Services
 CS: Carrier Services
 DS: Data Services
 NT: Network & Technologies
 IR: International Relations
 DM: Disaster Management
 NOCC: National Operations Control Centre
 SAT: Satellite
 SRI: Standardization, R&D and Innovation
 Estt: Establishment
 Pers: Personnel
 SA: Security Assurance
 PG: Public Grievances

SD: Skill Development
 SU: Service Unit
 PHP: Phone Priority
 SPPI: Security (Policy Planning & Intelligence)
 SR&E: Service Relations & Estate
 CB&T: Capacity Building & Training
 NCCS: National Centre for Communication Security
 TEC: Telecom Engineering Centre
 NTIPRIT: National Telecom Institute for Policy Research, Innovation and Training
 Eco: Economic
 ERU: Economic Research Unit

Jt Secy: Joint Secretary
 A: Administration
 T: Telecom
 C&A: Coordination & Administration
 IC: International Coordination
 PM: Project Management
 IT: Information Technology
 USOF: Universal Services Obligation Fund
 CGCA: Controller General of Communication Accounts
 Tech: Technology
 DIU: Digital Intelligence Unit