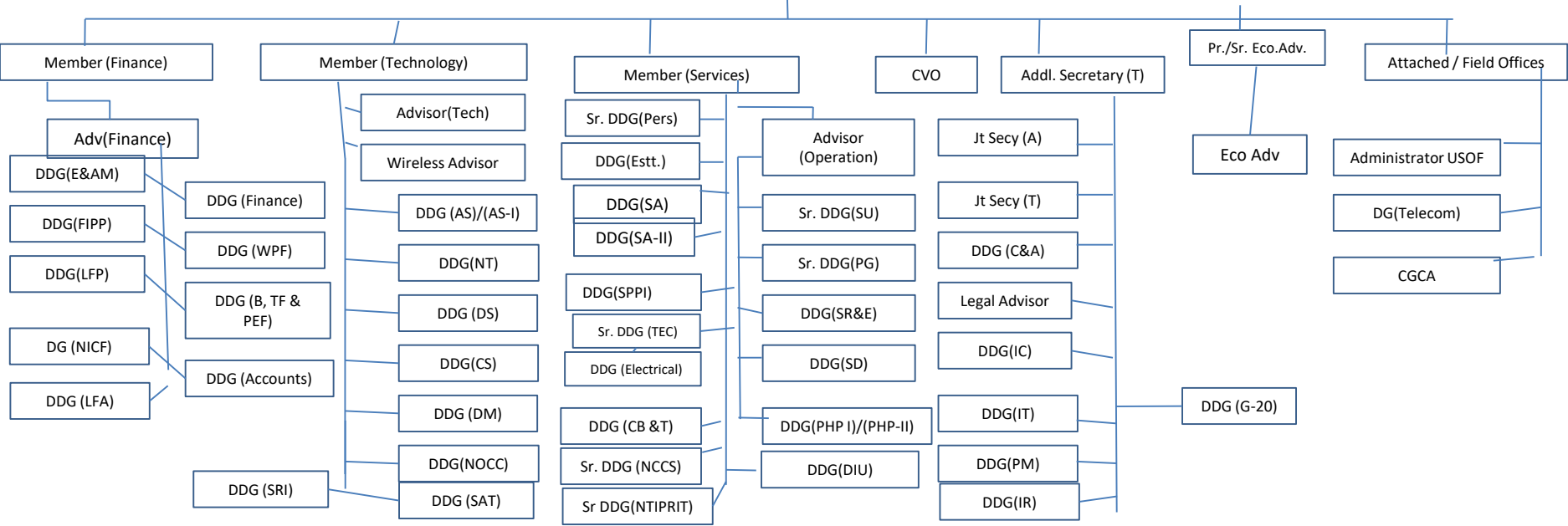


# ORGANISATION CHART OF DEPARTMENT OF TELECOMMUNICATIONS

**Minister of Communications**

**Minister of State for Communications**

**Secretary DoT & Chairman Digital Communications Commission**



**LEGEND**  
 DCC: Digital Communications Commission  
 DDG: Deputy Director General  
 WPF: Wireless Planning & Finance  
 LFP: Licensing Finance Policy  
 LFA: Licensing Finance Assessment  
 AM: Asset Management  
 E&T: Establishment & Training  
 B&PEF: Budget & Public Enterprise Finance  
 FIPP: Foreign Investment Policy & Promotion  
 NICF: National Institute of Communication Finance

AS: Access Services  
 CS: Carrier Services  
 DS: Data Services  
 NT: Network & Technologies  
 IR: International Relations  
 DM: Disaster Management  
 NOCC: National Operations Control Centre  
 SAT: Satellite  
 SRI: Standardization, R&D and Innovation  
 Estt: Establishment  
 Pers: Personnel  
 SA: Security (Assurance)  
 PG: Public Grievances

SD: Skill Development  
 SU: Service Unit  
 PHP: Phone Priority  
 SPPI: Security (Policy Planning & Intelligence)  
 SR&E: Service Relations & Estate  
 CB&T: Capacity Building & Training  
 NCCS: National Centre for Communication Security  
 TEC: Telecom Engineering Centre  
 NTIPRIT: National Telecom Institute for Policy Research, Innovation and Training  
 Eco: Economic  
 ERU: Economic Research Unit

Jt Secy: Joint Secretary  
 A: Administration  
 T: Telecom  
 C&A: Coordination & Administration  
 IC: International Coordination  
 PM: Project Management  
 IT: Information Technology  
 USOF: Universal Services Obligation Fund  
 CGCA: Controller General of Communication Accounts  
 Tech: Technology  
 DIU: Digital Intelligence Unit